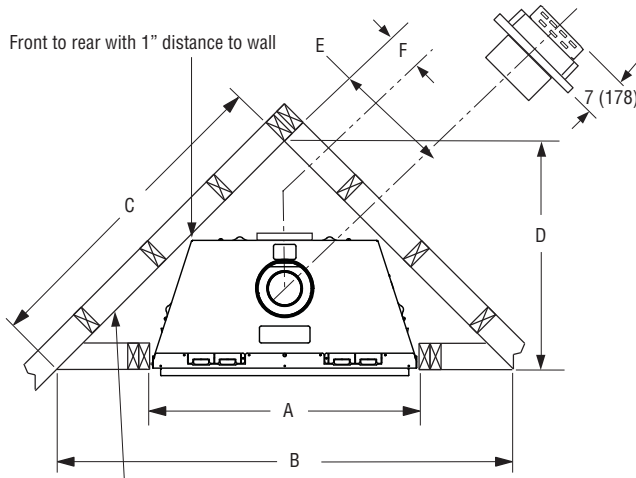


# GEMINI™ SERIES

## DIRECT-VENT FIREPLACES

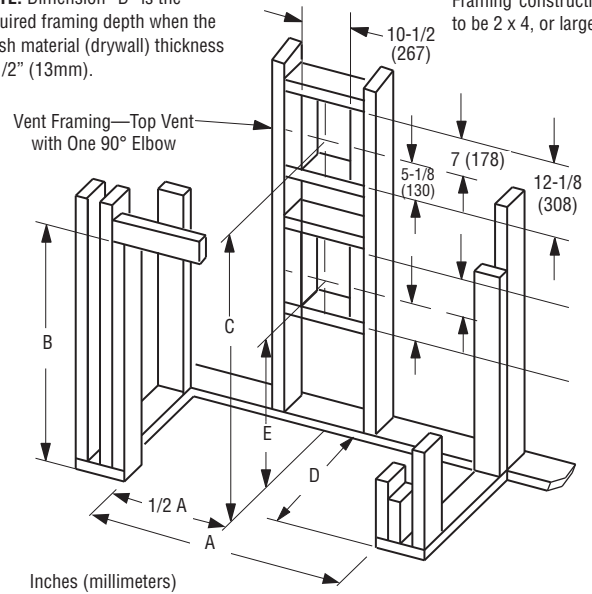
Framing Dimensions



Back wall of chase/enclosure (including finishing materials)

**NOTE:** Dimension "D" is the required framing depth when the finish material (drywall) thickness is 1/2" (13mm).

Framing construction to be 2 x 4, or larger.



C = Minimum height of top vent installations  
E = Minimum height of rear vent installations

Model	A	B	C	D	E	F
33" Models	33-3/4 (857)	51-1/4 (1302)	36-1/4 (921)	25-5/8 (651)	12-1/8 (308)	5-1/2 (140)
35" Models	35-3/8 (899)	59-1/2 (1511)	42-1/8 (1070)	30-1/4 (768)	14-1/4 (362)	6-5/8 (168)
40" Models	40-3/8 (1025)	63-7/8 (1622)	45-3/8 (1153)	33-1/4 (845)	15-7/8 (403)	8-1/2 (216)
45" Models	45-3/8 (1153)	70-3/8 (1788)	49-3/4 (1264)	35-1/4 (895)	17-1/2 (445)	10-1/4 (260)

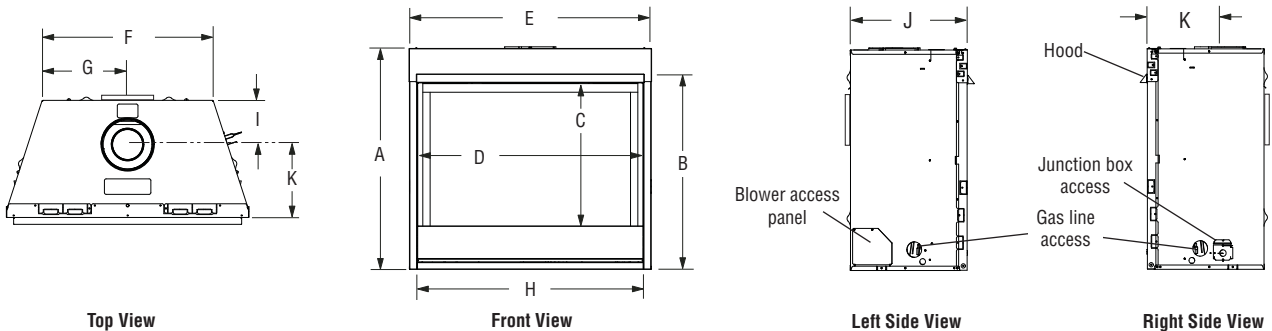
Model	A *	B	C	D	E
33" Models	33-3/4 (857)	34-1/4 (845)	36-7/8 (930)	14-1/2 (368)	19-5/8 (499)
35" Models	35-3/8 (899)	36-1/4 (895)	38-3/4 (984)	18 (447)	23-3/8 (594)
40" Models	40-3/8 (1026)	41-1/4 (1048)	43-3/4 (1111)	18 (447)	28-1/4 (717)
45" Models	45-3/8 (1153)	41-1/4 (1048)	43-3/4 (1111)	18 (447)	28-1/4 (717)

\*Minimum opening size; additional 1/8" per side is recommended.

**NOTE:** Framing specifications do NOT apply for flexible venting. When using flexible venting, refer to the kit requirements for framing specifications.

**NOTE:** When finishing the area around the hood, 5/8" clearance above hood is required for hood installation.

Fireplace Dimensions



Model	A	B	C	D (door)	E	F	G	H	I	J	K
33" Models	30-1/8 (765)	26-1/4 (667)	18-3/8 (467)	30-1/2 (775)	33-5/8 (854)	21-7/8 (556)	11 (279)	31 (787)	5-3/4 (146)	14 (356)	8-1/2 (207)
35" Models	32-1/8 (816)	28-3/4 (730)	22-1/4 (565)	32-3/8 (822)	35-1/4 (895)	25 (635)	12-1/2 (317)	32-7/8 (835)	6-7/8 (175)	17 (432)	10-1/8 (257)
40" Models	37-1/8 (943)	33-1/4 (845)	27-1/4 (692)	37-3/8 (949)	40-1/4 (1022)	30 (762)	15 (381)	37-7/8 (962)	6-7/8 (175)	17 (432)	10-1/8 (257)
45" Models	37-1/8 (943)	33-1/4 (845)	27-1/4 (692)	42-3/8 (1076)	45-1/4 (1149)	35 (889)	17-1/2 (445)	42-7/8 (1089)	6-7/8 (175)	17 (432)	10-1/8 (257)

NOTE: DIAGRAMS & ILLUSTRATIONS ARE NOT TO SCALE.

# GEMINI™ SERIES

## Product Information

Cat. No.	Model	Weight	Cu. Ft.
F1652	Gemini33TMN	102 lb.	11.8
F1656	Gemini33TMP	102 lb.	11.8
F1654	Gemini33TEN	102 lb.	11.8
F1658	Gemini33TEP	102 lb.	11.8
F1657	Gemini33RMN	102 lb.	11.8
F1653	Gemini33RMP	102 lb.	11.8
F1659	Gemini33REN	102 lb.	11.8
F1655	Gemini33REP	102 lb.	11.8

Cat. No.	Model	Weight	Cu. Ft.
F1644	Gemini35DMN	102 lb.	11.8
F1645	Gemini35DMP	102 lb.	11.8
F1646	Gemini35DEN	102 lb.	11.8
F1647	Gemini35DEP	102 lb.	11.8
F1636	Gemini40DMN	128 lb.	15.5
F1637	Gemini40DMP	128 lb.	15.5
F1638	Gemini40DEN	128 lb.	15.5
F1639	Gemini40DEP	128 lb.	15.5

Cat. No.	Model	Weight	Cu. Ft.
F1628	Gemini45DMN	128 lb.	15.5
F1629	Gemini45DMP	128 lb.	15.5
F1630	Gemini45DEN	128 lb.	15.5
F1631	Gemini45DEP	128 lb.	15.5
F2457	GeminiCD35DEN	102 lb.	11.8
F2459	GeminiCD40DEN	128 lb.	15.5

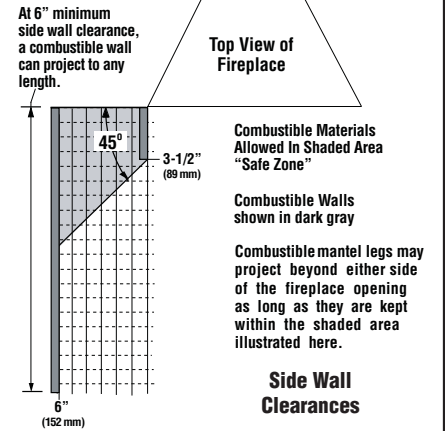
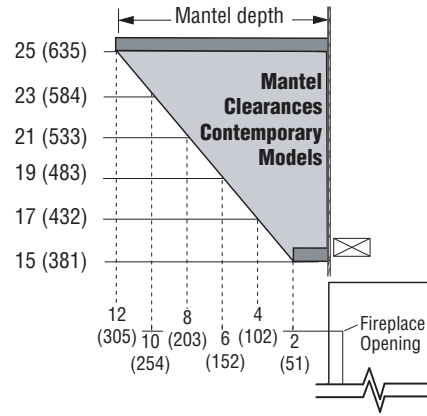
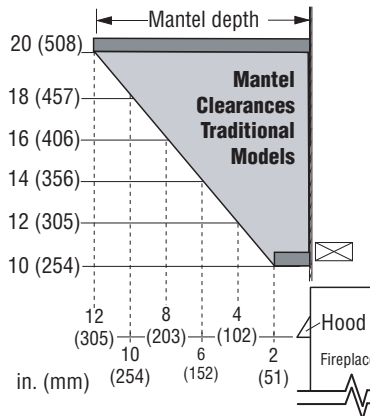
Listing



Report No. F13-094

Listed by PFS Corporation to - ANSI Z21.88 (in Canada, CSA-2.33), and CAN/CGA-2.17-M91 in both USA and Canada, as a vented gas fireplace heater.

## Clearances

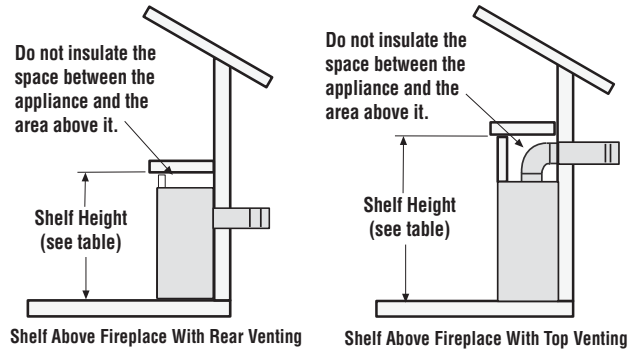


## Shelf Height

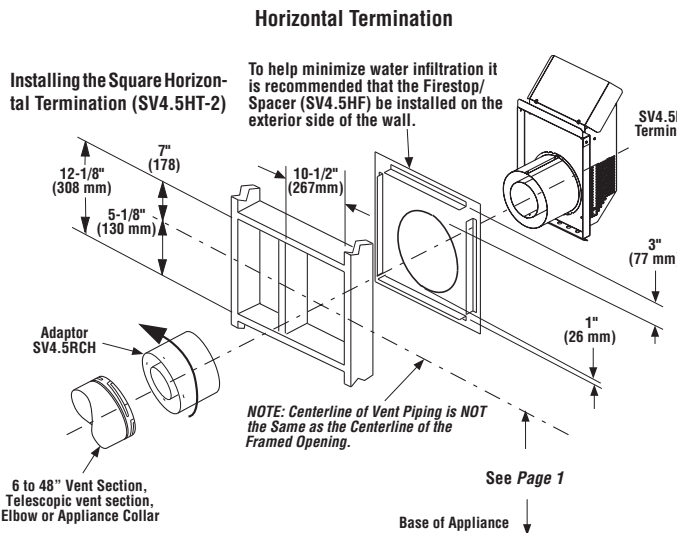
Model	Top Vent with one 90° Elbow		Alternative Rear Vent applications
	Secure Vent®	Secure Flex® (flex elbow)	Secure Vent®
33" Models	44" (1118 mm)*	46" (1168 mm)*	39" (990 mm)**
35" Models	47" (1194 mm)*	49" (1245 mm)*	41" (1042 mm)**
40" Models	52" (1321 mm)*	54" (1372 mm)*	46" (1169 mm)**
45" Models	52" (1321 mm)*	54" (1372 mm)*	46" (1169 mm)**

\* Includes 3" clearance to combustibles (required above vent components)  
 \*\* In alternative, Rear Vent applications, Top Vent will be sealed as detailed in the Installation and Operation manual.

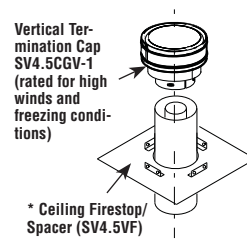
Specifications and clearances are subject to change without notice. Refer to Installation and Operation Manual before installation of these appliances for updated dimensions and instructions.



## Venting



## Vertical Termination



## Typical Installations

