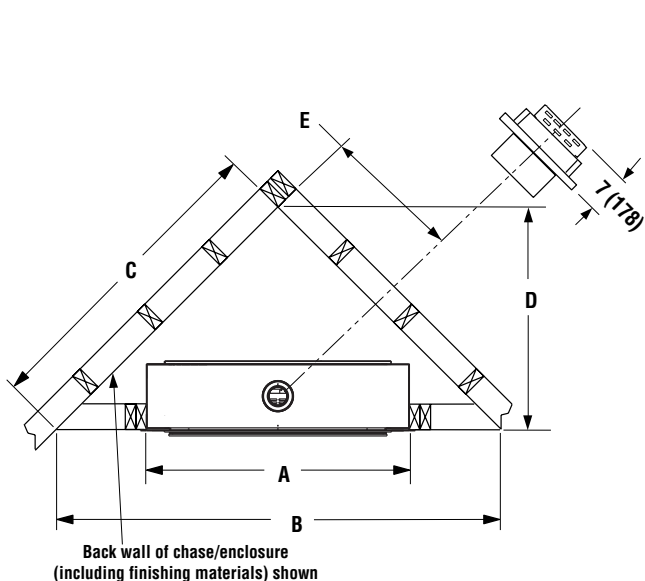


# SIRIUS™ SERIES

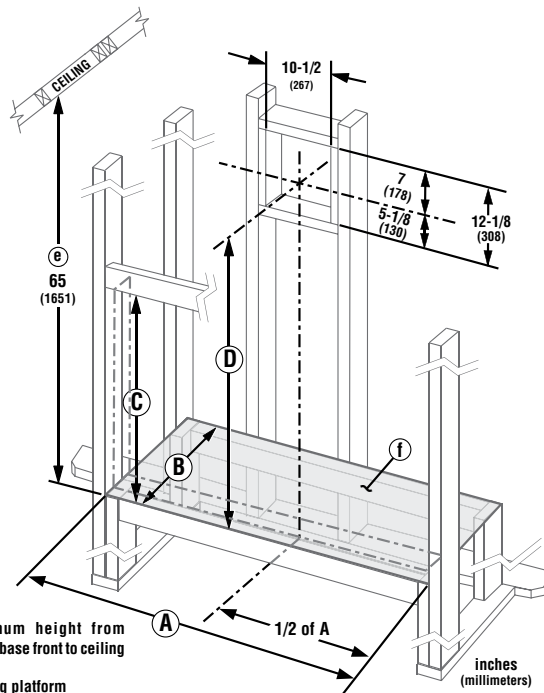
## DIRECT-VENT FIREPLACES

Framing Dimensions



Models	A	B	C	D	E
<b>42" Models</b>	53-3/4" 1365 mm	94-3/4" 2407 mm	67" 1702 mm	47-3/8" 1203 mm	25-1/8" 638 mm
<b>54" Models</b>	65-3/4" 1670 mm	106-3/4" 2711 mm	75-1/2" 1917 mm	53-3/8" 1356 mm	29-3/8" 745 mm

*Diagrams, illustrations and photographs are not to scale. Consult installation instructions. Product designs, materials, dimensions, specifications, colors, and prices are subject to change or discontinuance without notice.*

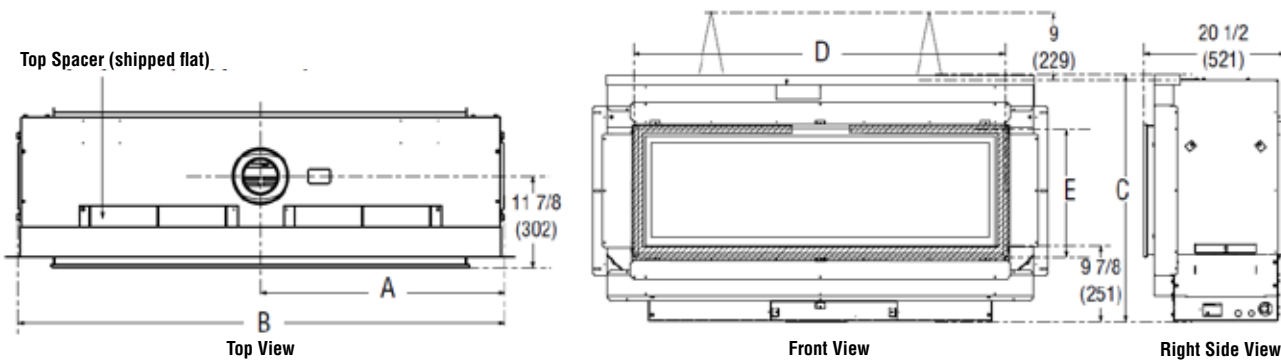


Model	A		B		C	D	
<b>42" Models</b>	54-3/4" 1366 mm	58-3/4"* 1492 mm*	20-1/2" 521 mm	21"* 533 mm*	37" 940 mm	38-1/2"* 978 mm*	44-3/8" 1127 mm
<b>54" Models</b>	65-3/4" 1670 mm	69-3/4"* 1772 mm*	20-1/2" 521 mm	21"* 533 mm*	41-3/4" 1061 mm	43-1/4"* 1099 mm*	48-1/4" 1226 mm

\*with 1/2" recess for flush framing

Fireplace Dimensions

Models	A	B	C	D	E
<b>42" Models</b>	26-7/8" 683 mm	53-3/4" 1366 mm	32-1/2" 826 mm	44-1/8" 1121 mm	15-3/4" 398 mm
<b>54" Models</b>	32-1/2" 826 mm	65-3/4" 1670 mm	36-3/8" 924 mm	56-1/8" 1426 mm	19-5/8" 498 mm



NOTE: DIAGRAMS & ILLUSTRATIONS ARE NOT TO SCALE.

# SIRIUS™ SERIES

Product Information

Cat. No.	Model	Weight	Cu. Ft.
F2241	Sirius42TEN	226 lb.	38.9
F2243	Sirius42TEP	226 lb.	38.9
F2245	Sirius54TEN	311 lb.	48.1
F2247	Sirius54TEP	311 lb.	48.1

Listing Information

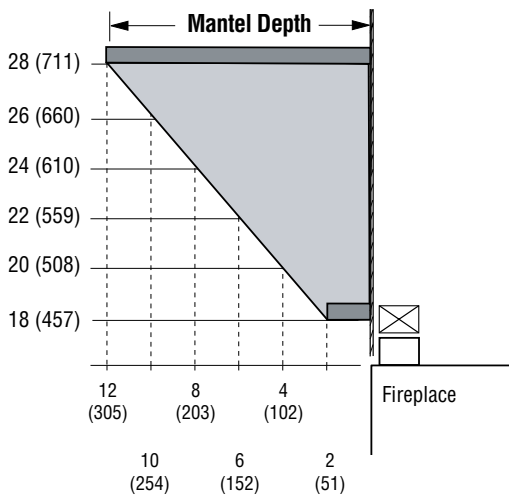


Report No. F14-108

Listed by PFS Corporation to -ANSI Z21.88 (in Canada, CSA-2.33), and CAN/CGA-2.17-M91 in both USA and Canada, as a vented gas fireplace heaters.

Clearances

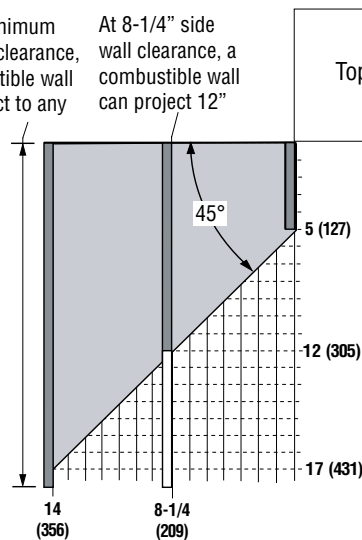
### Mantel Clearance



### Side Wall Clearance

At 14" minimum side wall clearance, a combustible wall can project to any length

At 8-1/4" side wall clearance, a combustible wall can project 12"



Top View of Fireplace

Combustible materials allowed in the shaded area "Safe Zone"

Combustible walls shown in dark gray

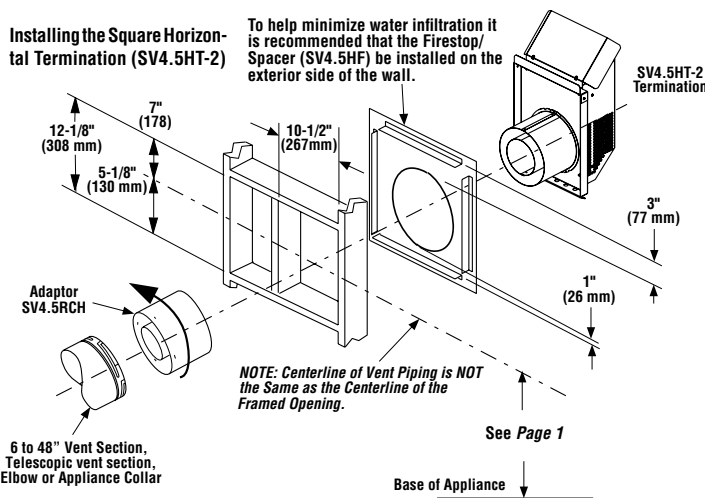
Combustible mantel legs may project beyond either side of the fireplace opening as long as they are kept within the shaded area illustrated here

Inches (millimeters)

### Horizontal Termination

#### Installing the Square Horizontal Termination (SV4.5HT-2)

To help minimize water infiltration it is recommended that the Firestop/Spacer (SV4.5HF) be installed on the exterior side of the wall.

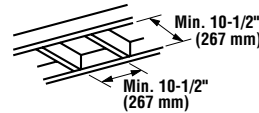


### Vertical Termination

Vertical Termination Cap SV4.5CGV-1 (rated for high winds and freezing conditions)

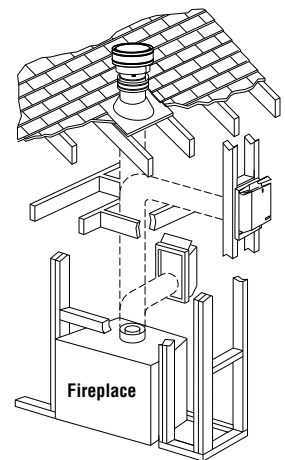
\* Ceiling Firestop/Spacer (SV4.5VF)

#### Roof Framing



Uses 4.5" / 7.5" Secure Vent® Rigid and Secure Flex® Direct-Vent Components

### Typical Installations



Venting

NOTE: DIAGRAMS & ILLUSTRATIONS ARE NOT TO SCALE.

Printed in U.S.A. © 2016 Innovative Hearth Products  
P/N 900632-00 REV. NC 04/2016



Specifications and clearances are subject to change without notice. Refer to Installation Manual before installation of these appliances for updated dimensions and instructions.

Page 2 of 2